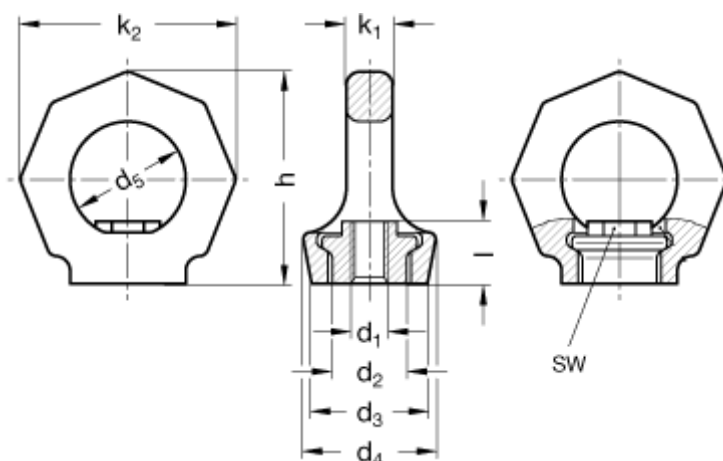


Article number: 201093514

Description: E+G Rotating lifting eye 16mm nut  
GN 583-M16

## Measures



$d_1 = M 16$	$l = 19$
$d_2 = 22$	Load capacity = 1,5 t [15 kN]
$d_3 = 35.0$	SW = 19
$d_4 = 40$	
$d_5 = 35$	
$h = 64$	
$k_1 = 14.0$	
$k_2 = 65$	